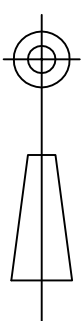
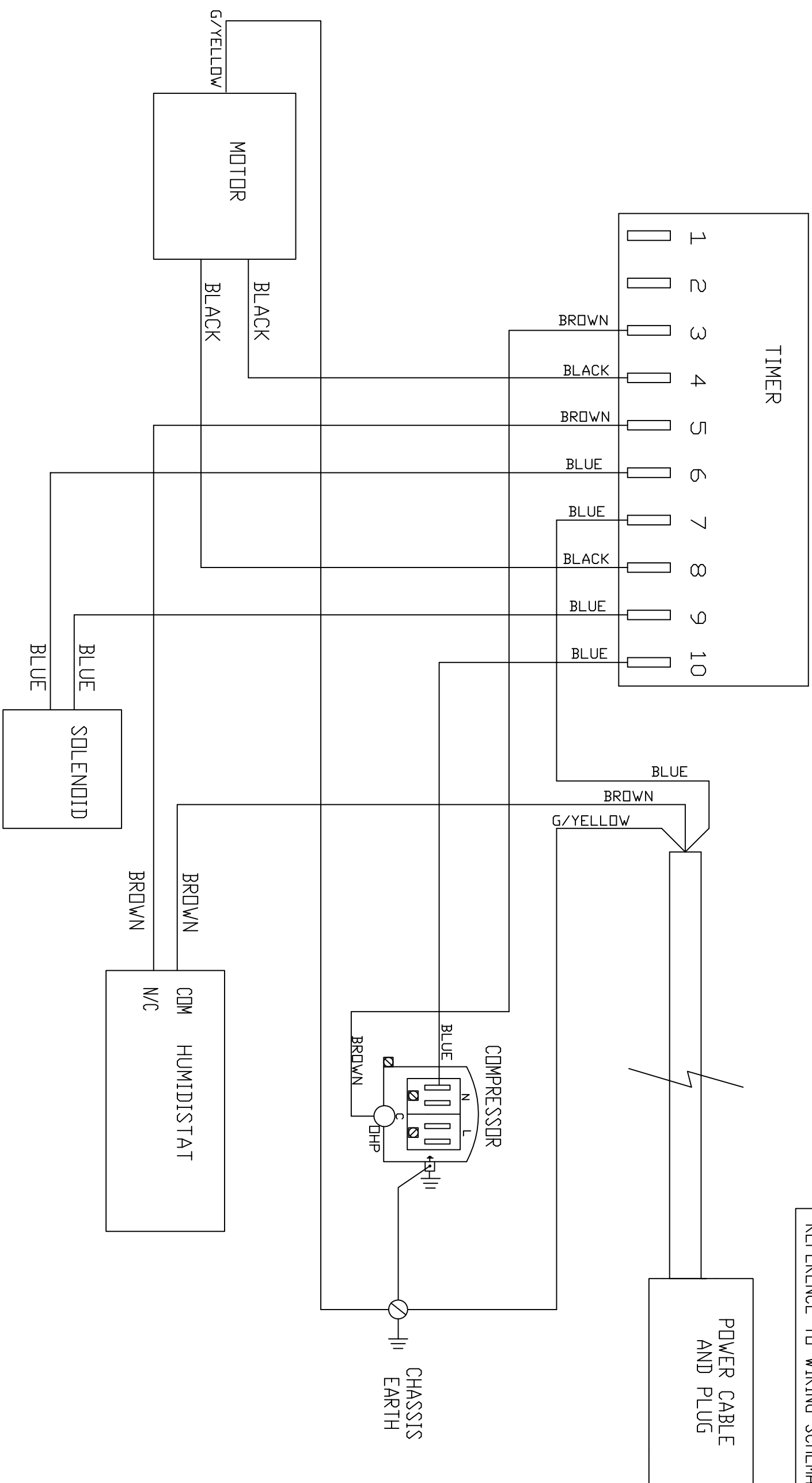


3RD ANGLE PROJECTION



DESCRIPTION	PART No.
REFERENCE TO GENERAL ASSEMBLY	1013700
REFERENCE TO GENERAL ASSEMBLY	1138100
REFERENCE TO GENERAL ASSEMBLY	1138600
REFERENCE TO WIRING SCHEMATIC	5020153



ISS.	8	9	10	11	12	13	TOLERANCE UNLESS STATED		TITLE	SECURITY CLASSIFICATION
DATE	18.9.89	21.9.89	24.08.93	18.10.93	07/04/05	20/01/12	DIMENSIONS IN m.m.			
CHECKED										
APPROVED										
SCALE	C/N	GE	6223	6514	WDA	WDA				
INSPECTION PROCEDURE	MATERIAL		FINISH							