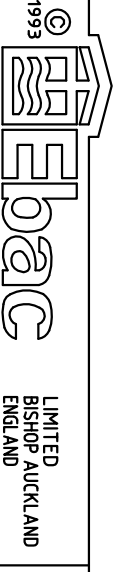
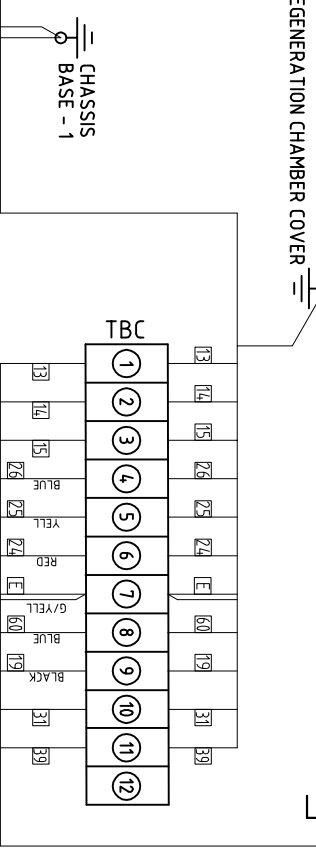
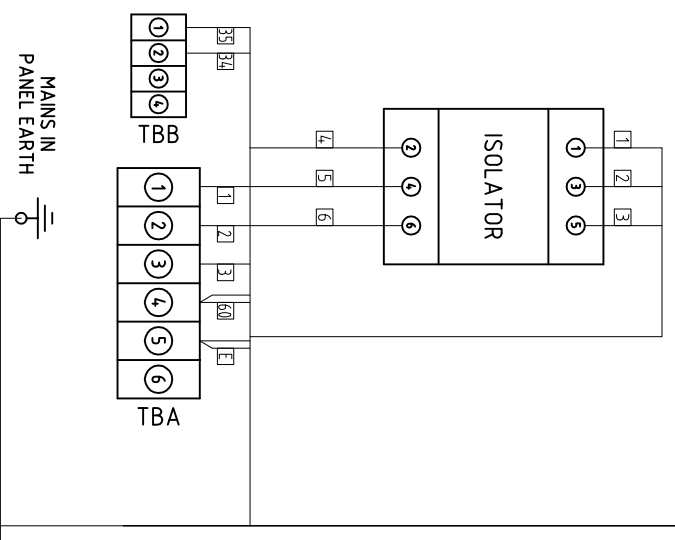
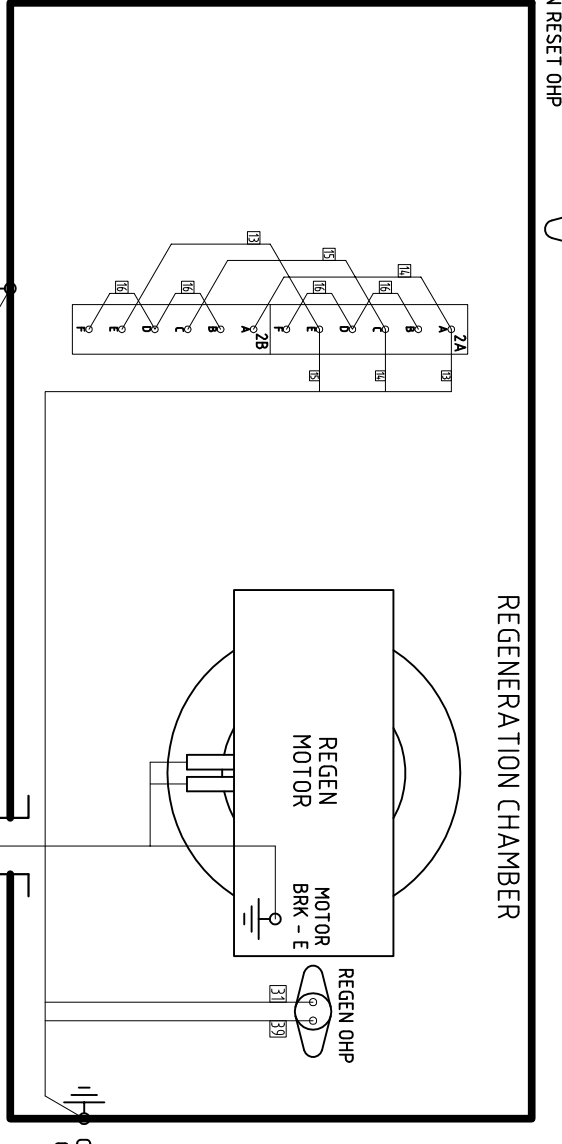
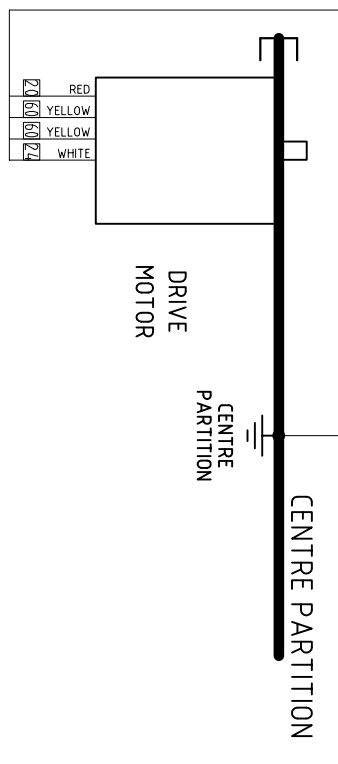
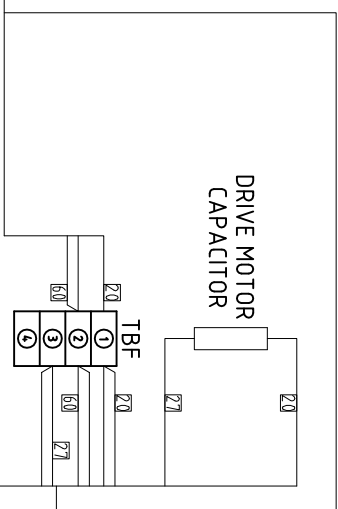
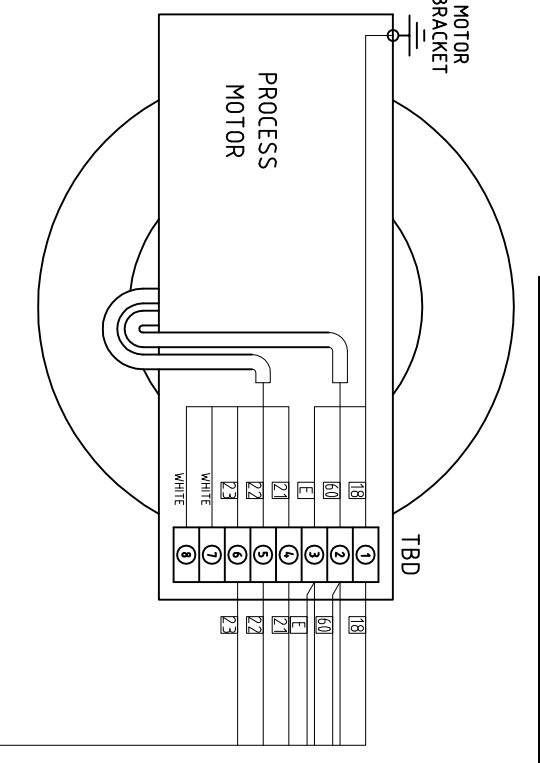
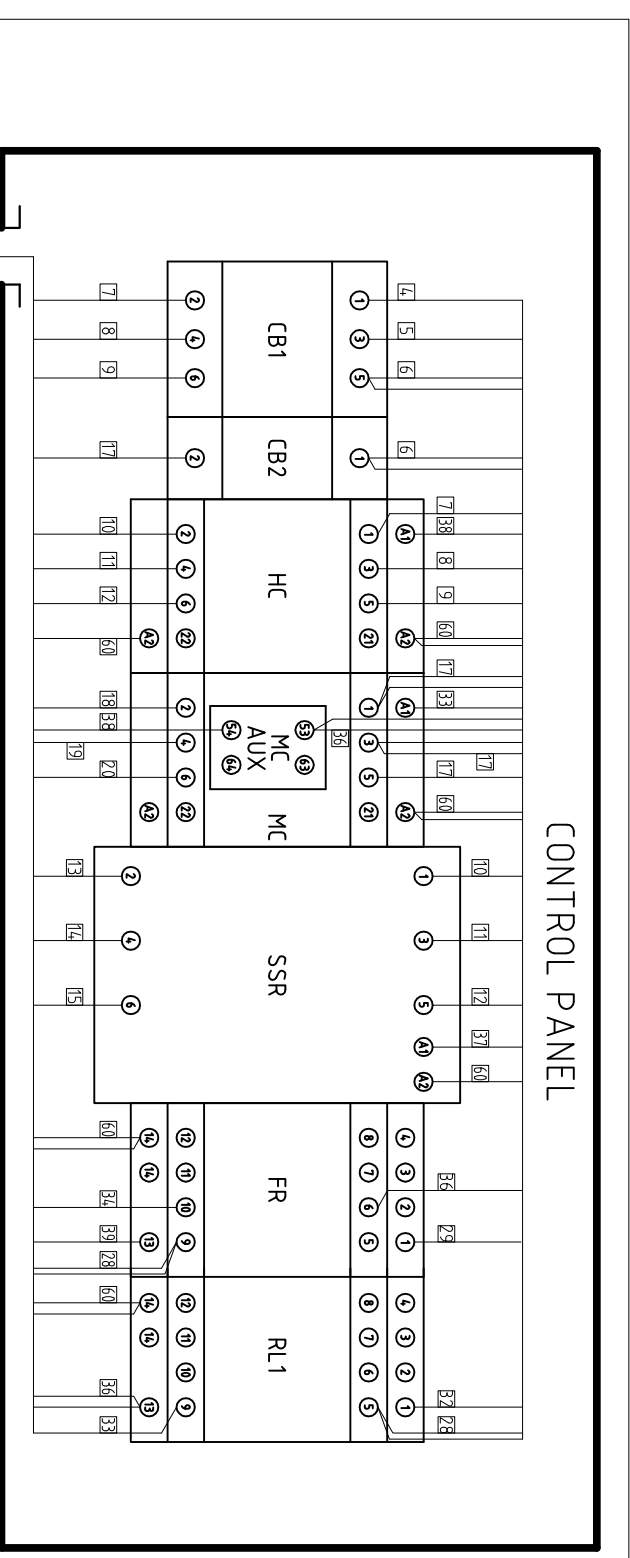


ISSUE	DATE	AMENDMENTS
7	01/05/15	CONTROL BOX VIEW CHANGED - WDA
8	12/05/15	CONTROL BOX VIEW CHANGED - WDA
9	06/11/15	REGEN FAN T/B VIEW UPDATED - WDA
10	04/03/16	GENERAL UPDATE - WDA



LIMITED BISHOP AUCKLAND ENGLAND

TITLE DD700 - WIRING DIAGRAM

3RD ANGLE PROJECTION  
 DO NOT SCALE  
 IF IN DOUBT ASK

DIMENSIONS IN m.m.  
 TOLERANCES UNLESS OTHERWISE STATED

± 1  
 ± 0.25  
 ± 0.05  
 ANGULAR ± 0.5 DEGREE

MATERIAL N/A  
 FINISH N/A

DRAWN: W DAGLISH  
 CAD SCALE: N/A

DRG.NO. 5010355  
 SHEET 1 OF 1