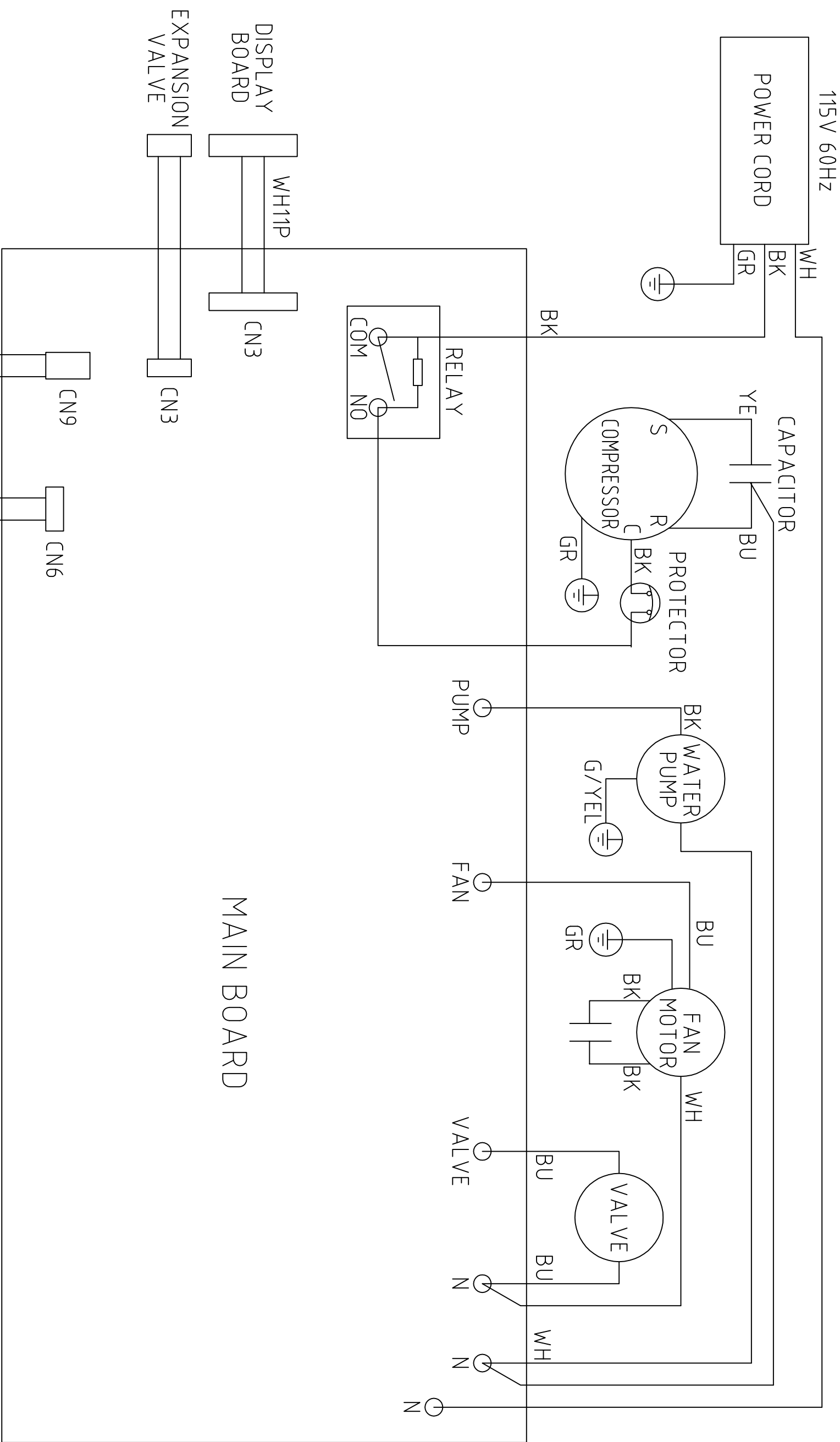


ISSUE	DATE	AMENDMENTS
1	16/01/12	ORIGINAL



MAIN BOARD

<p>3RD ANGLE PROJECTION DO NOT SCALE IF IN DOUBT ASK</p>	<p>DIMENSIONS IN m.m. TOLERANCES UNLESS OTHERWISE STATED</p>	<p>1997 LTD</p>		<p>BISHOP AUCKLAND Co. DURHAM ENGLAND</p>		<p>TITLE RM95 WIRING SCHEMATIC - US</p>	
		<p>0.0 ± 0.25 0.00 ± 0.05 ANGULAR ± 0.5 DEGREE</p>		<p>FINISH N/A</p>		<p>MATERIAL N/A</p>	
<p>DRG.NO. 5020323</p>				<p>SHEET 1 OF 1</p>			