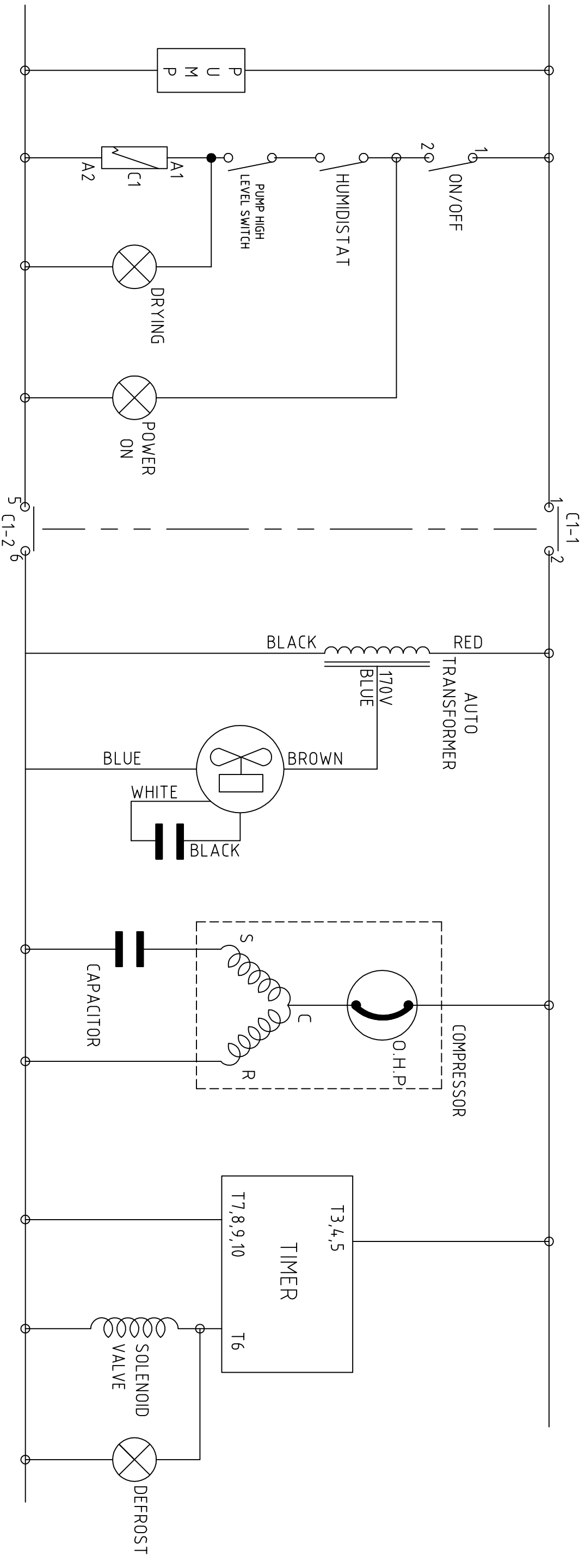


ISSUE	DATE	AMENDMENTS
1	15/06/07	ORIGINAL
2	02/04/13	FAN TRANSFORMER ADDED - WDA



 1993 LIMITED BISHOP AUCKLAND ENGLAND	TITLE	
	WM150 230V 50Hz WIRING SCHEMATIC	
3RD ANGLE PROJECTION DO NOT SCALE IF IN DOUBT ASK	MATERIAL	
	DRAWN : C LILLY	
DIMENSIONS IN m.m. TOLERANCES UNLESS OTHERWISE STATED 0.0 ± 1 0.00 ± 0.25 0.00 ± 0.05 ANGULAR ± 0.5 DEGREE	FINISH	
	CAD SCALE : NTS	
DRG.NO. 5020291	SHEET	
	1 OF 1	